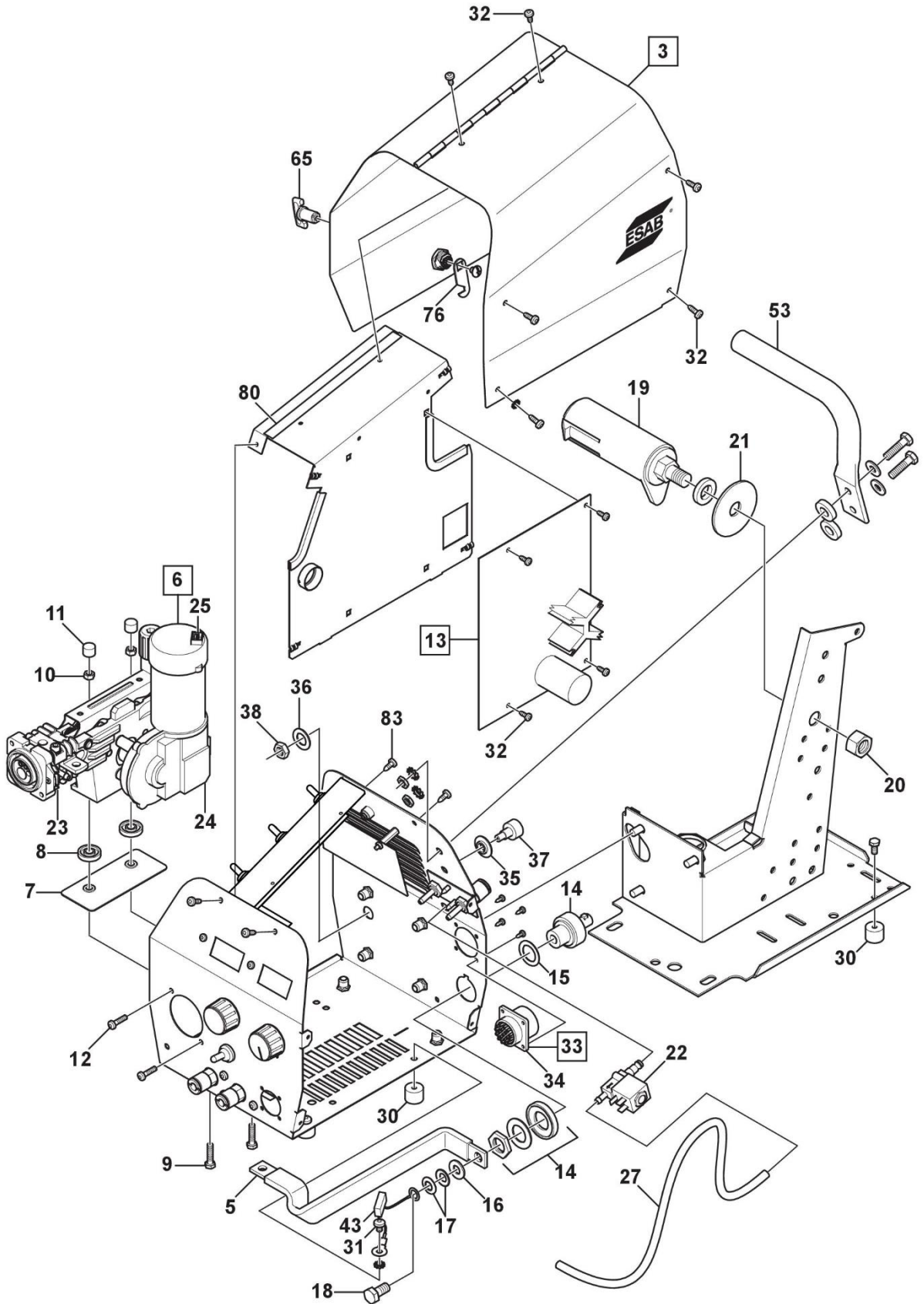


ESAB WARRIOR™ FEED 304W

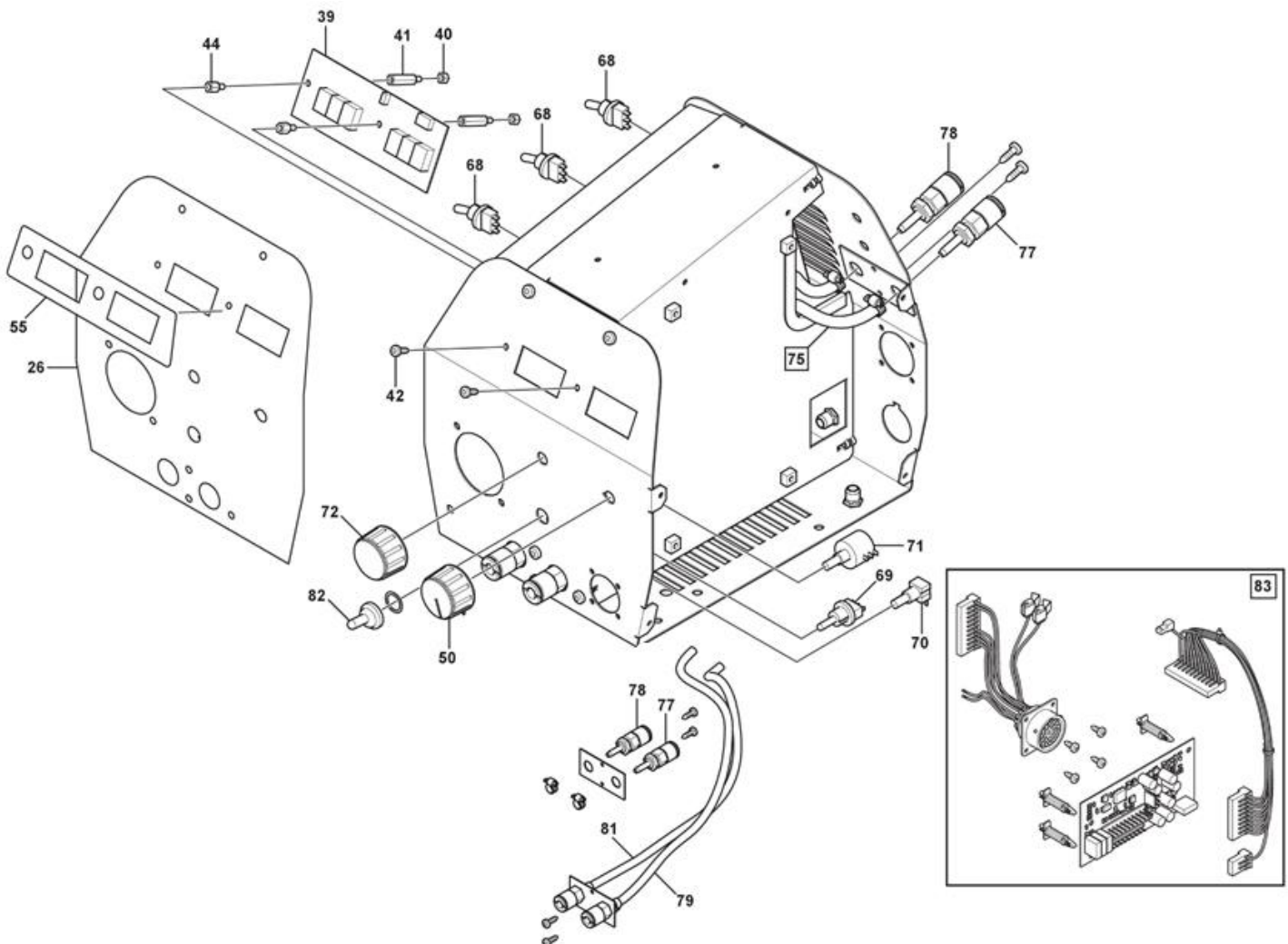


ESAB WARRIOR™ FEED 304W			
ITEM	DESCRIPCION	NUMERO PARTE	CODIGO
3	ESAB SIDE PANEL WARRIORFEED 304W (INCLUYE PANEL LEFT AND RIGHT, COTTER, TURNLOCK, RATINGPLATE AND CAM STRAIGHT)	464507880	614177
5	CURRENTBAR	465240001	619011
6	ESAB FEED MECHANISM FEED 304(0459000896) (VALIDFORSER.NO.246-,324-XXX-XXXX FORDETAILS, SEEWIREFEED MECHANISMCOMPONENTS (WITH"HH" ITEMNUMBERS) BELOW.)	459000896	612233
6	ESAB FEED MECHANISM FEED 304(0459000896) (VALIDFORSER.NO.246-,324-XXX-XXXX FORDETAILS, SEEWIREFEED MECHANISMCOMPONENTS (WITH"HH" ITEMNUMBERS) BELOW.)	459000899	CONSULTAR
6	WIREFEED MECHANISM (PM4228MOTOR) (VALIDFROMSER.NO.540-XXX-XXXX FORDETAILS, SEEWIREFEED MECHANISMCOMPONENTS(WITH"HH" ITEMNUMBERS)BELOW.)	446093001	CONSULTAR
7	ISOLATIONPLATE (30-4MECH)	461149001	CONSULTAR
8	INSULATINGWASHER	153043002	CONSULTAR
9	SCREWM65(M6x25-8.8FZB)	-----	CONSULTAR
10	NUTM6M(M6-8.8FZB)	-----	CONSULTAR
11	INSULATINGSLLEEVE(M6)	191574103	CONSULTAR
12	SCREWMRT(M5x16)	-----	CONSULTAR
13	ESAB BOARD WARRIOR FEED 304W (VALIDO PARA SERIE .NO.246-,324-XXX-XXXX ORIGOFEEED304ENCODER)	487166895	614779
13	ESAB BOARD WARRIOR FEED (VALIDO DESDE SERIE .NO.540-XXX-XXXX)	487166897	619439
14	MACHINECONNECTOR(TYPEOKC)	160609881	611901
15	SILICONEGASKET(OKC)	466325001	CONSULTAR
16	WASHERBRB(10.5FZB)	-----	CONSULTAR
17	CUPSPRINGWASHER	-----	CONSULTAR
18	SCREWM6S(M10x20-8.8FZB)	-----	CONSULTAR
19	ESAB BRAKE HUB	146967881	617290
20	NUT(M16-8-A2K)	-----	CONSULTAR
21	WASHER	459620001	CONSULTAR
22	ESAB SOLENOID VALVE+CONN 42V	193054007	612266
23	CABLESET	465284882	CONSULTAR
24	CABLE SET(FROM WIRE FEED MECHANISM MOTOR TO PC BOARD)	465284880	CONSULTAR
25	ESAB ACTIVADOR ENCODER (CONJUNTO DE CABLES DEL CODIFICADOR A LA PLACA DE CIRCUITO IMPRESO)	465284881	617110
27	GAS HOSE(0.6MREDPVCD=8MM, ID=5MM)	349487059	CONSULTAR
30	RUBBER FOOT(PARTNO.STICK135)	467695001	CONSULTAR
31	SCREWMRT(M6x8-8.8FZB)	-----	CONSULTAR
32	SCREWRTS(ST4.8x16)	-----	CONSULTAR
33	ESAB BASE CONECT 19P WF304	465285880	619788
34	PINPLUG	538500203	CONSULTAR
35	INSULATINGBUSHING	458748001	612236
36	INSULATINGWASHER	458748002	612237
37	INLETNOZZLE(0.8-1.6MM,FE,SS,A)	156602001	612235
38	NUTML6M6K(M10FZB)	-----	CONSULTAR
43	ESAB CAPACITOR	467911881	611893
53	HANDLE(6.3x2.4)	465263001	CONSULTAR
65	TURNLOCK	465420002	CONSULTAR
76	CAMSTRAIGHT(WITHHOOK)	465457001	CONSULTAR
80	SEALINGSTRIP(330MM,225CR)	192526002	CONSULTAR
83	SCREW(M4x8)	-----	CONSULTAR

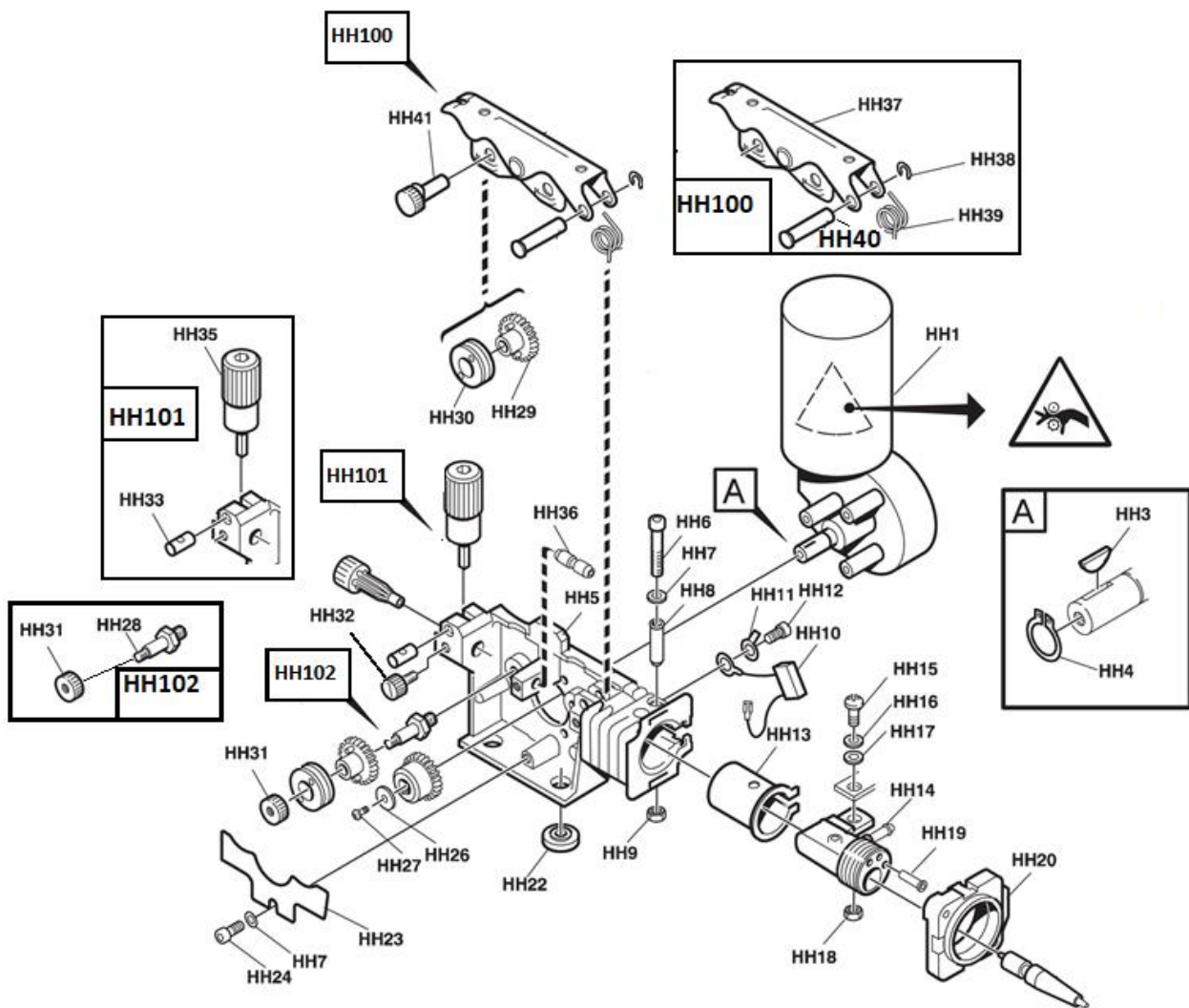


ITEM	DESCRIPCION	NUMERO PARTE	CODIGO
26	DECAL PARA WARRIOR FEED 304W	465368002	CONSULTAR
39	DISPLAYBOARD	487990880	614788
40	NUT(M4-8-A2K)	-----	CONSULTAR
41	DISTANCESCREW(M4x25)	-----	CONSULTAR
42	SCREW(M4x8)	-----	CONSULTAR
44	DISTANCESCREW(M4x12)	-----	CONSULTAR
50	ESAB KNOB ESABFEED	321475882	614183
55	DECAL(SMALLV/A)	465370001	CONSULTAR
68	ESAB LLAVE LIGERA DESACTIVAR SELECCIÓN INTERNA	194423101	617109
69	ESAB LLAVE LIGERA DESACTIVAR GAS	194423201	617108
70	POTENTIOMETER	191870916	615850
71	POTENTIOMETER (10TURNS)	194424116	617113
72	ESAB KNOB D36-1/4 ARISTOFFEED	321475893	614184
75	WATERKIT(QUICKCONNECTORSAND HOSES)	465276880	CONSULTAR
77	ESAB QUICK-COUPLING BLUE 6,3	365803017	611899
78	QUICKCONNECTOR(RED6.3)	365803016	611900
79	HOSE(RED0.46M)	349487059	CONSULTAR
81	HOSE(BLUE0.5M)	457290033	CONSULTAR
82	SEALINGCAP	194423901	617452
83	ESAB REMOTE KIT RAILTRAC WARRIOR	465451881	616921
*	CABLEASSEMBLY (POTENTIOMETERS, SWITCHESANDCABLE)	465288880	617111
*	CABLEASSEMBLY (POTENTIOMETERS, SWITCHES ANDCABLE FROM SER.NO. 324-XXX-XXXX)	465571880	CONSULTAR

(*) NO SE MUESTRA EN EL GRAFICO



ITEM	DESCRIPCION	NUMERO PARTE	CODIGO
	ESAB FEED MECHANISM FEED 304(0459000896) (VALIDFORSER.NO.246-,324-XXX-XXXX FORDETAILS, SEEWIREFEED MECHANISMCOMPONENTS (WITH"HH" ITEMNUMBERS) BELOW.)	459000896	612233
	WIREFEED MECHANISM(VALIDFORSER.NO.246-, 324-XXX-XXXX INCLUDESITEMSHH1-HH21AND HH23-HH41)	459000899	CONSULTAR
	WIREFEED MECHANISM (PM4228MOTOR)(VALIDFROMSER.NO.540-XXX-XXXX INCLUDESITEMSHH1-HH21AND HH23-HH41)	446093001	CONSULTAR
HH1	ESAB DRIVE PULSE TRANSDUCER(VALIDO PARA SERIE NO.246-,324-XXX-XXXX CON ENCODER)	459808002	612222
HH1	ESAB DRIVE UNIT(PM4228 MOTOR)(VALIDFROMSER.NO.540-XXX-XXXX CON ENCODER)	465827880	619654
HH3	ESAB KEY A6 VEC(INCLUIDO EN EL ITEM HH1)	191496114	612238
HH4	ESAB LOCK RING D10(INCLUDEDINITEMHH1)	215701007	614159
HH5	GEARHOUSING	455046003	CONSULTAR
HH6	SCREW(M6X40)	-----	CONSULTAR
HH7	WASHER(Ø12/6.4X1.5)	-----	CONSULTAR
HH8	INSULATINGTUBE	455048001	CONSULTAR
HH9	NUT(M6)	-----	CONSULTAR
HH10	CAPACITOR(0.1MF250VWITHCABLELUGS)	467911880	CONSULTAR
HH11	FLATPIN(6.3X0.8M6)	-----	CONSULTAR
HH12	SCREW(M6X12)	-----	CONSULTAR
HH13	INSULATINGSLLEEVE	455045001	CONSULTAR
HH14	ESAB CURRENT COUPL FEED 304	455044001	612851
HH15	SCREW(M8X25)	-----	CONSULTAR
HH16	WASHER(Ø16/8.4X1.5)	-----	CONSULTAR
HH17	BELLEVILLEWASHER(Ø16/8.2X0.9)	-----	CONSULTAR
HH18	NUT(M6)	-----	CONSULTAR
HH19	INSULATINGSLLEEVE(PARA EL JUEGO DE CABLES)	368750001	614771
HH19	JUEGO DE CABLES	459224880	CONSULTAR
HH20	ESAB FRONT FLANGE PC-BOARD	458918880	613417
HH22	INSULATINGWASHER	153043002	CONSULTAR
HH23	ESAB COVER EURO	469838001	612218
HH24	SCREW	-----	CONSULTAR
HH26	WASHER(Ø16/5X1)	-----	CONSULTAR
HH27	SCREW(M4X12)	-----	CONSULTAR
HH32	SCREWFORNOZZLE(POLESCREW)	458689001	CONSULTAR
HH41	ESAB SHAFT ARISTO FEED	458999001	612263
HH100	ESAB PRESSURE ARM SET MEM 30(INCLUDESITEMSHH37,HH38,HH39ANDHH40)	459227880	612256
HH101	PRESSUREDEVICESET(INCLUDESITEMSHH33,HH35 AND ONE SCREWM3x12)	459228880	612258
HH102	ESAB SHAFT+NUT MEM 30(INCLUDESITEMSHH28ANDHH31)	458722880	612264



ITEM	DESCRIPCION	NUMERO PARTE	CODIGO
HI1	ESAB INTERMEDIATE NOZZLE FE SSC	455072002	610624
HI1	ESAB INTERMEDIATE NOZZLE AL	456615001	610623
HI2	ESAB OUTLET NOZZLE D2MM STAHL	469837880	610629
HI2	ESAB OUTLET NOZZLE D2MM AL	469837881	610628
HI5A	MOTORGEAREURO, DRIVEGEAR	459440001	610605
HI12	GEARADAPTER	459441880	610618
HI13	ESAB INLET NOZZLE FE SS C AL	455049001	610620
HI13	INLETNOZZLE	460007001	CONSULTAR
HI15	NUT	-----	CONSULTAR
HI16	INSULATING WASHER	458748002	612237
HI17	INSULATING BUSHING	458748001	612236
HI18	INLETNOZZLE	156602001	612235

